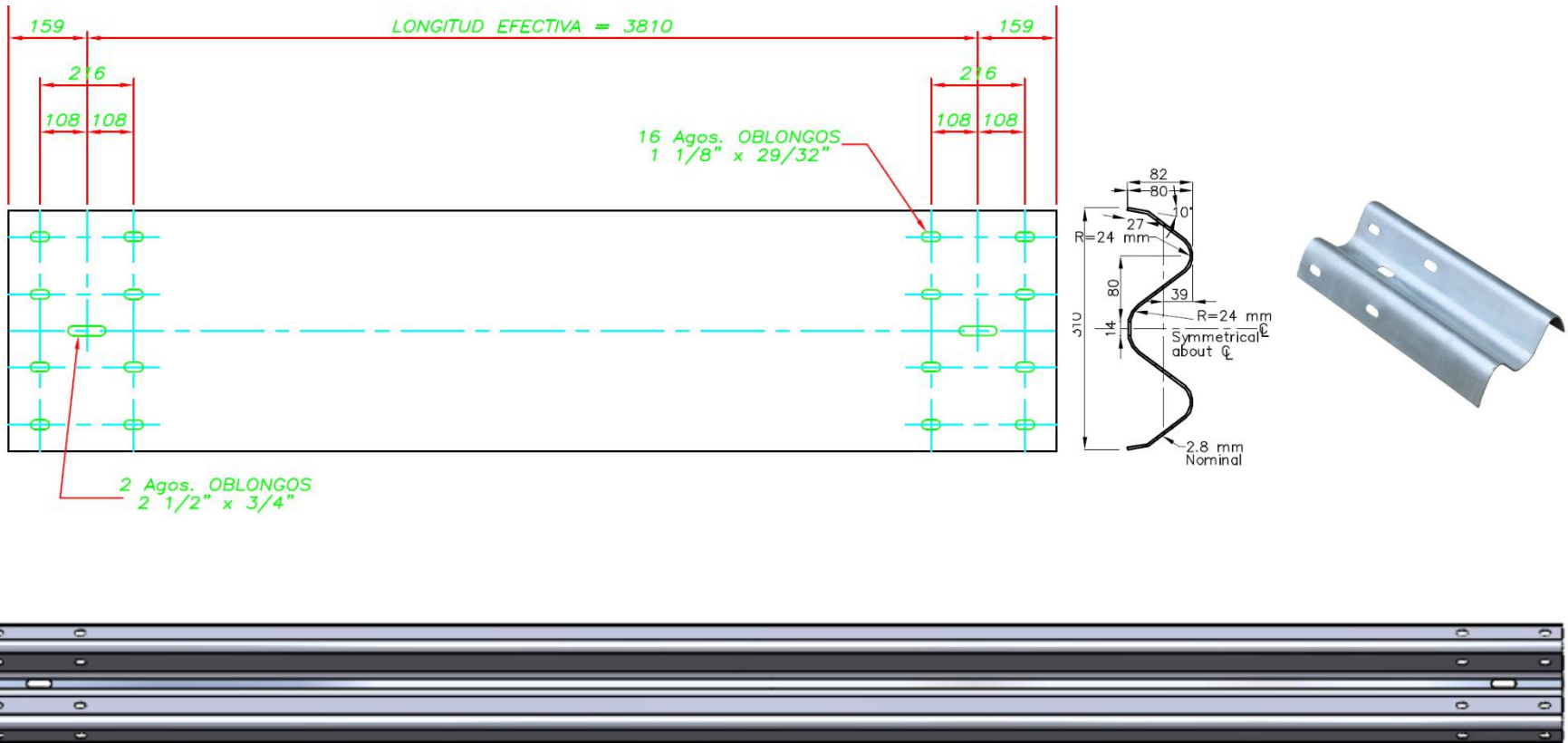


## TECHNICAL SPECIFICATION

### TERMS OF REFERENCES

### FOR THE STEEL ROAD GUARDRAILS

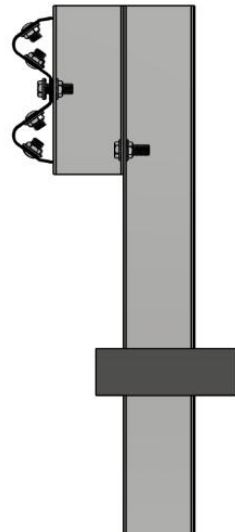
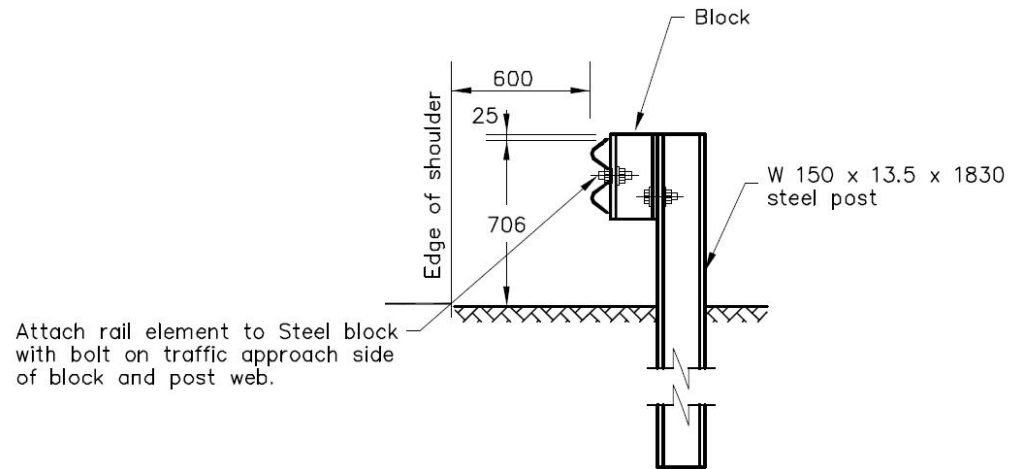
No.	Designation	Description Highway Guardrail according to Customer's technical parameters & AASHTO M180 Standard				
1.0	Product List	NO.	Name	Technical Parameter	Unit	Note.
		1	W Beam Guardrail	4130*310*82*2.8	Pcs	
		2	Guardrail H Post	W150*13.5*1830	Pcs	
		3	Guardrail H Spacer	W150*13.5*360	Pcs	
		4	Flat Plate Washer	75*44*4.0	Pcs	
		5	Bolt&Nuts	M16*35	Pcs	
		6	Bolt&Nuts	M16*50	Pcs	
2.1	W Beam Guardrail	Name: Hot Dip Galvanized W Beam Guardrail Dimensions: 4310*310*82*2.8mm Zinc Coating: 1100g/m <sup>2</sup> Material: <b>SS355JR</b>				



2.2

H Post

Name: Hot Dip Galvanized Sigma Post  
Dimensions: 150\*100\*1830  
Zinc Coating: 1100g/m<sup>2</sup>  
Material: A36

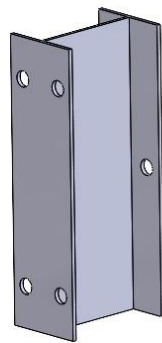
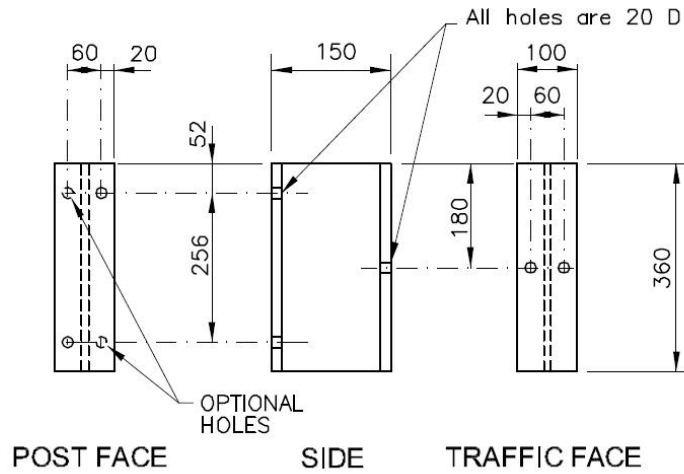


Name: Hot Dip Galvanized H Post

Dimensions: 150\*100\*360

Zinc Coating: 1100g/m<sup>2</sup>

Material: A36

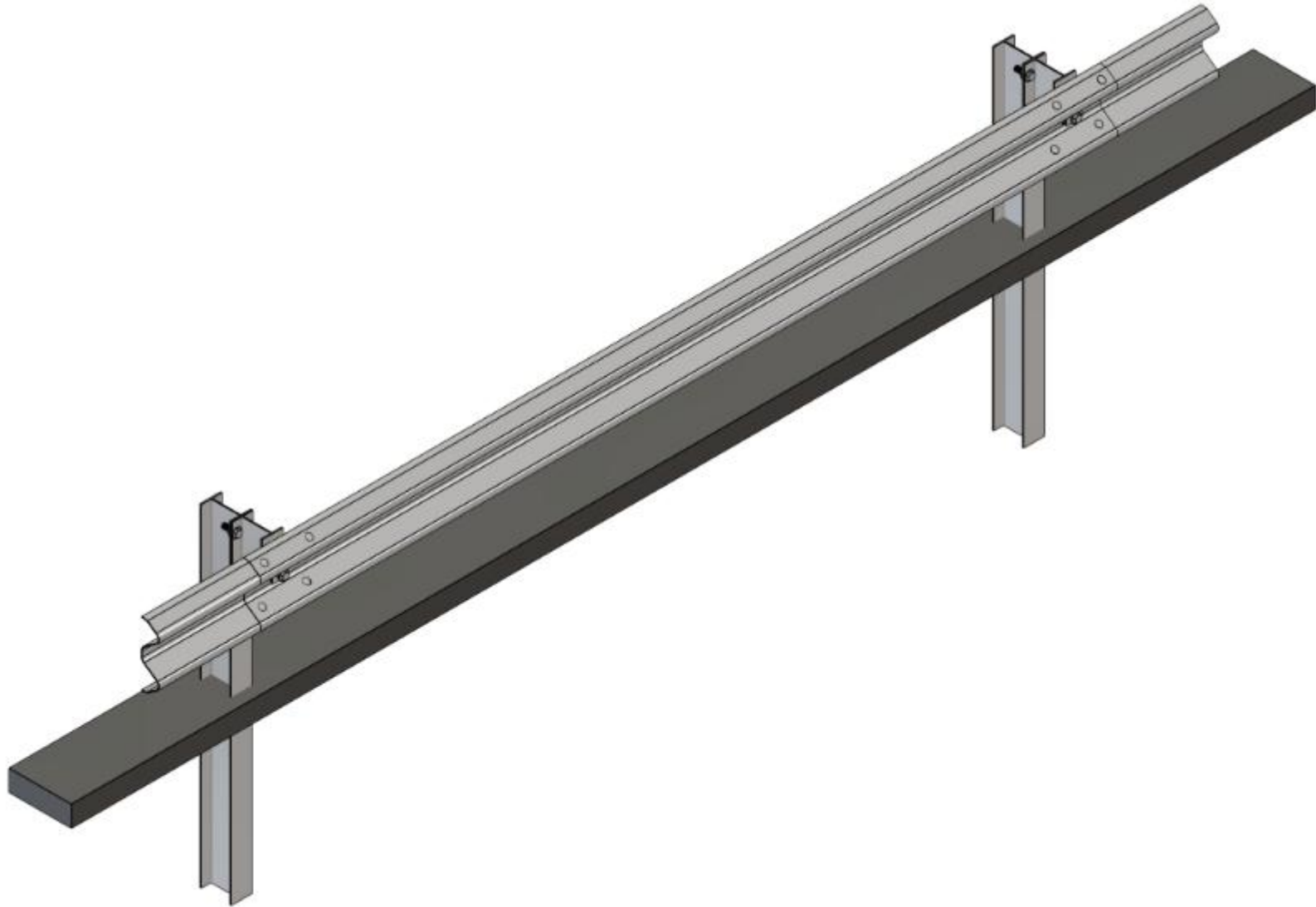


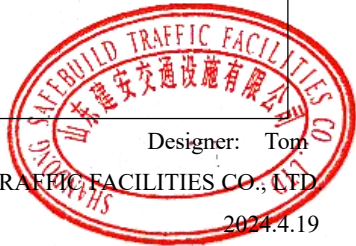
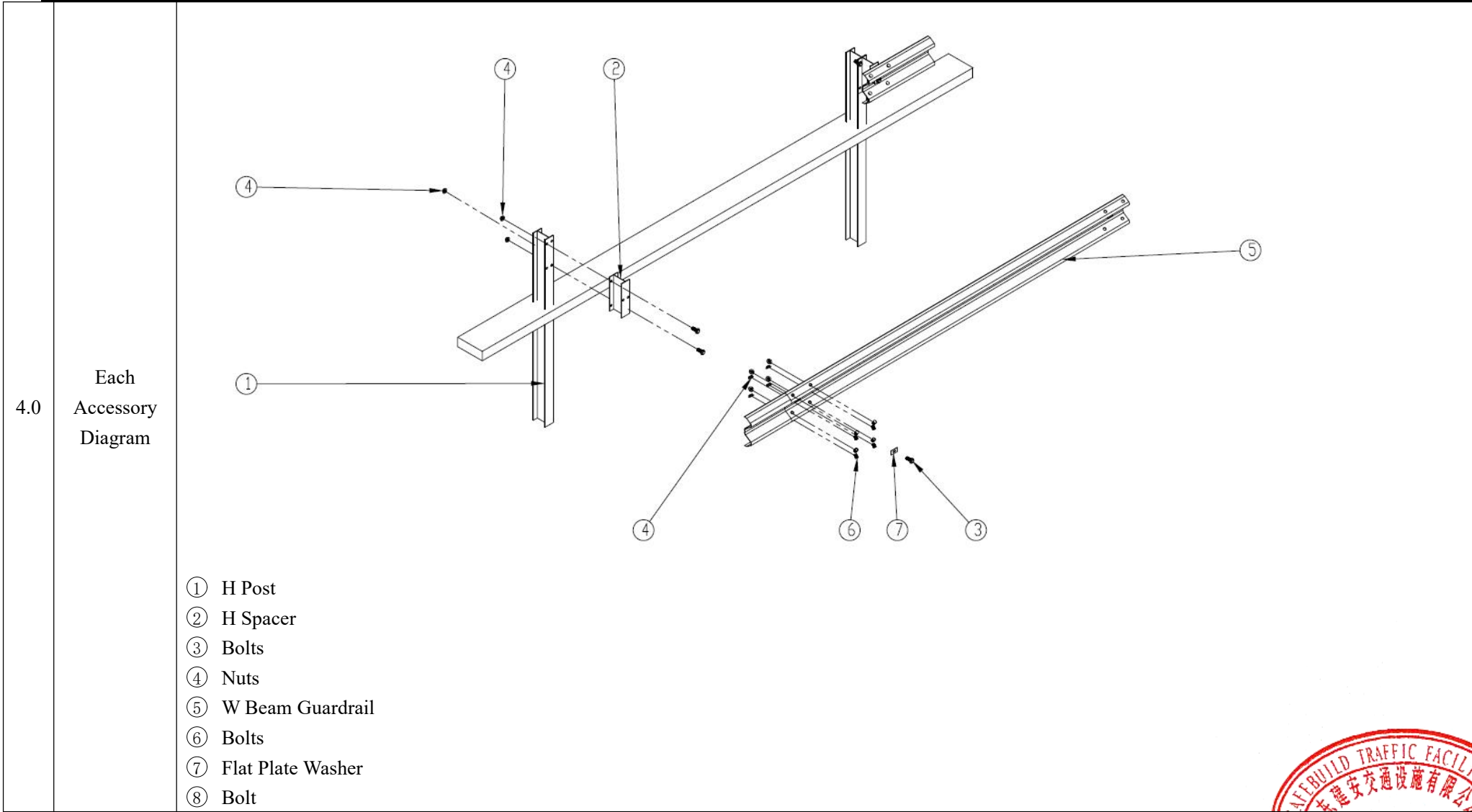
2.3

H Spacer

3.0

Assembly  
drawing





Designer: Tom

SHANDONG SAFEBUILD TRAFFIC FACILITIES CO., LTD

2024.4.19